



TH	THAILAND
----	----------

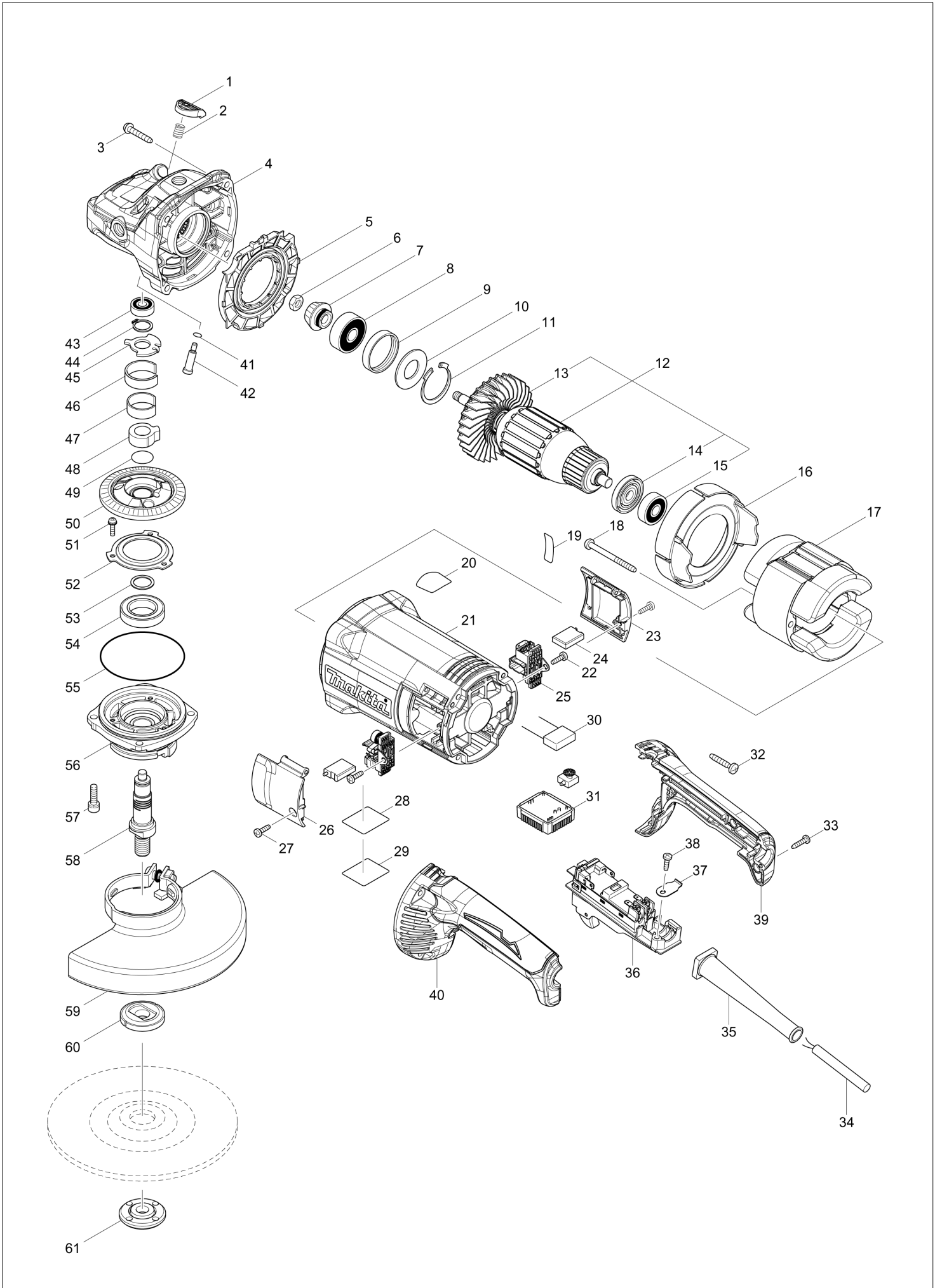
Diagram / Parts List

GA7061R

180MM ANGLE GRINDER



(TH) GA7061R / 180MM ANGLE GRINDER



TH	THAILAND
----	----------

GA7061R / 180MM ANGLE GRINDER

Item	Sub	Parts No.	Parts Description	Qty	I/C	E/C No.	Close No.	Remark
001		456247-8	PIN CAP	1				
002		234391-9	COMPRESSION SPRING 8	1				
003		251489-7	TAPPING SCREW 5X30	4				
004		143485-8	GEAR HOUSING COMPLETE	1				
	C10	263002-9	RUBBER PIN 4	1				
005		456238-9	DIFFUSER	1				
006		252194-9	HEX. NUT M8	1				
007		227655-8	SPIRAL BEVEL GEAR 17	1				
008		211132-0	BALL BEARING 6301DDW	1				
009		262085-6	RUBBER RING 38	1				
010		267299-2	FLAT WASHER 20	1				
011		962211-4	RETAINING RING R-42	1				
012		513448-2	ARMATURE ASS'Y 220V	1				
	D10		INC. 13-15					
013		240161-6	FAN 86	1				
014		681630-2	INSULATION WASHER	1				
015		211087-9	BALL BEARING 6200DDW	1				
016		456239-7	BAFFLE PLATE	1				
017		621778-8	FIELD 220V	1				
018		266044-2	TAPPING SCREW 5X60	2				
019		851V88-3	GA7061R SERIAL NO. LABEL	1				
020		898443-6	SJS2 MARK LABEL	1			DR882	
021		456240-2	MOTOR HOUSING	1				
022		266385-6	TAPPING SCREW 4X14	2				
023		143950-7	BRUSH HOLDER COVER R COMPLETE	1			B7463	
023-1		456246-0	BRUSH HOLDER COVER R	1	>	B7463		
024		197128-4	CARBON BRUSH CB-218	1			DV178	
024-1		197129-2	CARBON BRUSH CB-218	1	O	DV178		
025		643714-4	BRUSH HOLDER	2			B7463	
025-1		643715-2	BRUSH HOLDER	2	<	B7463		
026		143949-2	BRUSH HOLDER COVER L COMPLETE	1			B7463	
026-1		456245-2	BRUSH HOLDER COVER L	1	>	B7463		
027		266385-6	TAPPING SCREW 4X14	2				
028		851V85-9	GA7061R NAME PLATE	1				
029		808D02-2	CLEAR LABEL	1				
031		620470-3	CONTROLLER	1				
032		251489-7	TAPPING SCREW 5X30	4				
033		266326-2	TAPPING SCREW 4X18	2				
034		691216-4	POWER SUPPLY CORD 1.25-2-2.5	1			DU465	
034-1		692171-3	POWER SUPPLY CORD 1.5-2-2.5	1	S	DU465		
035		682573-1	CORD GUARD 10	1				
036		632F77-9	SWITCH UNIT	1				
037		687678-2	STRAIN RELIEF	1			DU465	
037-1		687169-3	STRAIN RELIEF	1	S	DU465		
038		266385-6	TAPPING SCREW 4X14	1				
039		183C62-2	HANDLE SET	1				
	D10		INC. 40					
040		183C62-2	HANDLE SET	1				
	D10		INC. 39					
041		213026-5	O RING 7	1				
042		256571-7	SHOULDER PIN 7	1				
043		211032-4	BALL BEARING 608ZZ	1				
044		961055-9	RETAINING RING S-15	1				
045		346980-9	BALANCER	1				
046		346981-7	C TYPE PLATE 33	1				
047		346982-5	C TYPE PLATE 29	1				
048		326640-9	JOINT SLEEVE	1				
049		213859-8	O-RING 19	1				
050		227657-4	SPIRAL BEVEL GEAR 55	1				
051		911128-8	P.H.SCREW M4X16 WITH WR	3				
052		285742-9	BEARING RETAINER 59	1				
053		253725-7	FLAT WASHER 17	1				
054		211377-0	BALL BEARING 6905LLB	1				
055		213760-7	O RING 78	1				
056		143515-5	BEARING BOX COMPLETE	1				

A:GA7061R(H)

Interchange
O : Yes
X : No
< : the new part can be substituted for the current.
> : the current part can be substituted for the new.
S : Interchangeable as a set.

