



TH	THAILAND
----	----------

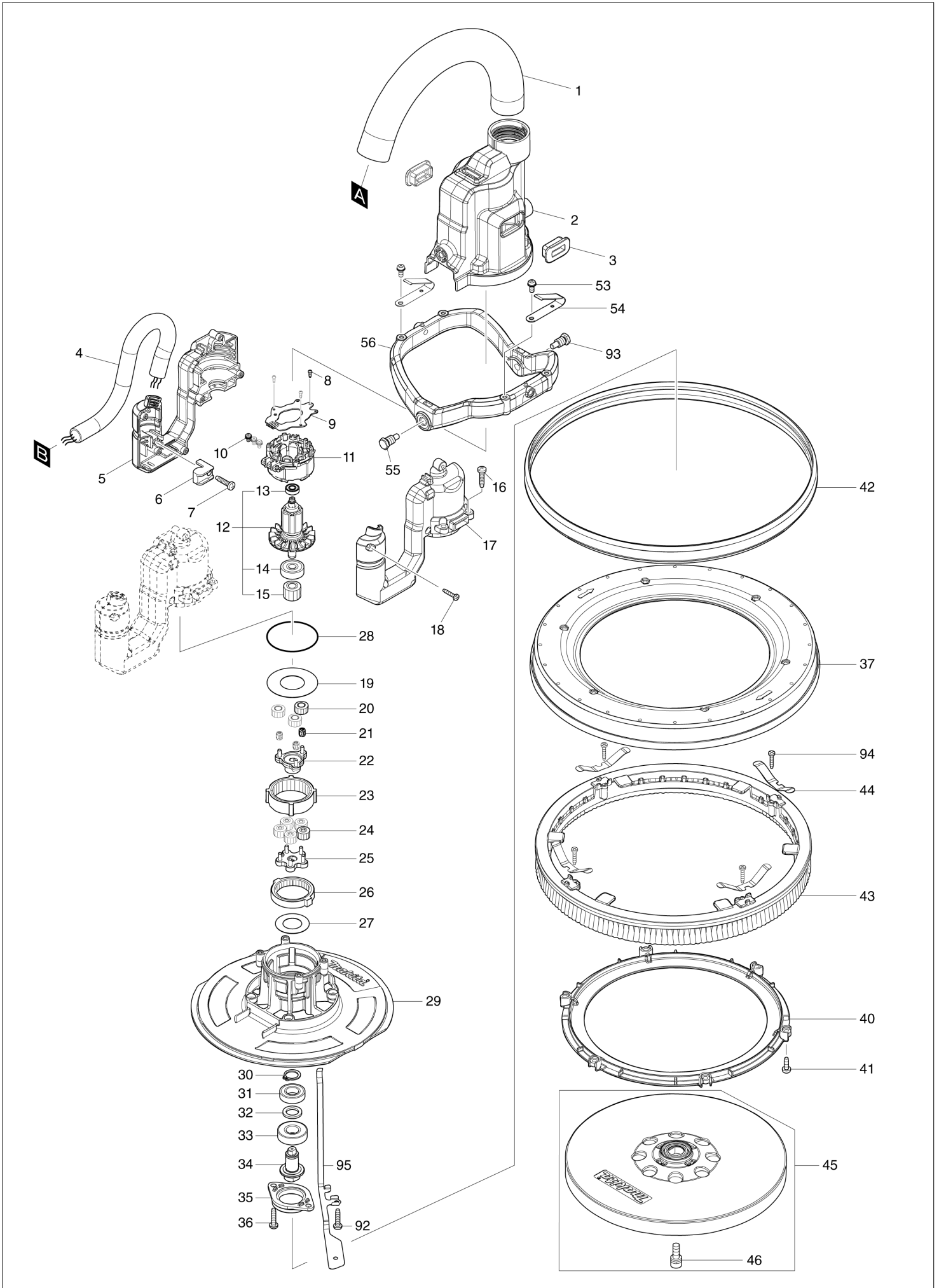
# Diagram / Parts List

**DSL801**

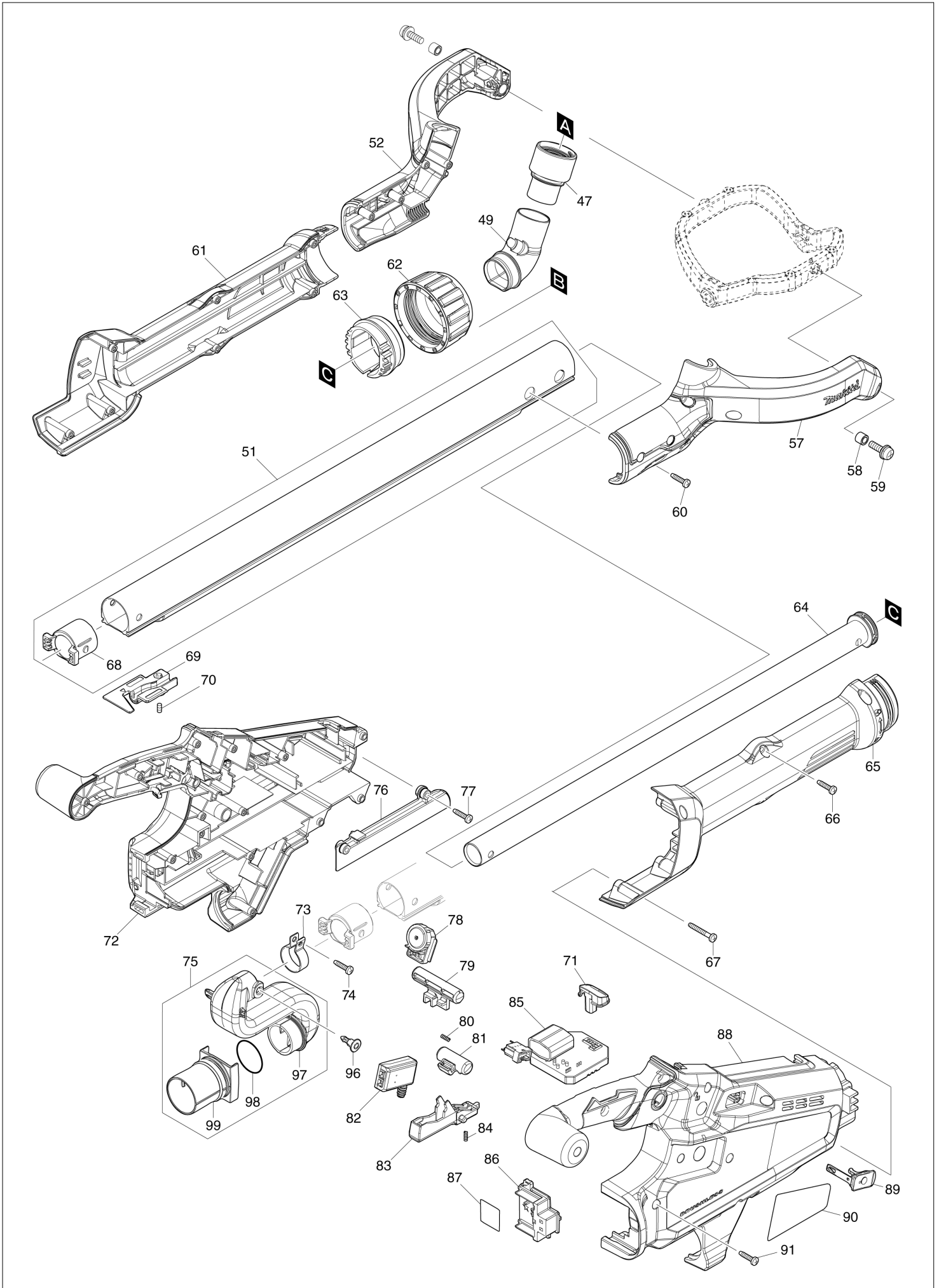
**225MM CORDLESS DRYWALL SANDER**



(TH) DSL801 / 225MM CORDLESS DRYWALL SANDER



(TH) DSL801 / 225MM CORDLESS DRYWALL SANDER



TH	THAILAND
----	----------

### DSL801 / 225MM CORDLESS DRYWALL SANDER

Item	Sub	Parts No.	Parts Description	Qty	I/C	E/C No.	Close No.	Remark
001		245058-4	HOSE 28-0.25	1				
002		459217-6	HEAD COVER	1			DJ338	
002-1		413L14-6	HEAD COVER	1	<	DJ338		
003		422446-4	RUBBER CAP	2				
004		699129-3	POWER SUPPLY CORD UNIT	1			DS374	
004-1		699245-1	POWER SUPPLY CORD UNIT	1	<	DS374		
005		183L77-3	MOTOR HOUSING SET	1				
	D10		INC. 17					
006		687261-5	STRAIN RELIEF	1				
007		265995-6	TAPPING SCREW 4X18	1				
008		266490-9	TAPPING SCREW PT 2X6	3				
009		620B02-8	CONTROLLER B	1				
010		652069-6	FLAT HEAD SCREW M3X6	3				
011		629409-3	STATOR	1				
012		519567-2	ROTOR ASSY	1				
	D10		INC. 13-15					
013		210039-7	BALL BEARING 695DDW	1				
014		210023-2	BALL BEARING 627DDW	1				
015		226888-2	SPUR GEAR 19	1				
016		265995-6	TAPPING SCREW 4X18	4				
017		183L77-3	MOTOR HOUSING SET	1				
	D10		INC. 5					
018		266429-2	TAPPING SCREW 3X16	6			DE715	
018-1		266130-9	TAPPING SCREW BIND PT 3X16	6	O	DE715		
019		253437-2	FLAT WASHER 23	1				
020		226886-6	SPUR GEAR 14	3				
021		212131-5	NEEDLE CAGE 307	3				
022		140J82-1	SPUR GEAR 17 COMPLETE	1				
023		226890-5	INTERNAL GEAR 47	1				
024		226885-8	SPUR GEAR 13	5				
025		140J81-3	CARRIER COMPLETE	1				
026		226889-0	INTERNAL GEAR 43	1				
027		267789-5	FLAT WASHER 18	1				
028		213606-7	O RING 48	1				
029		413828-1	GEAR HOUSING	1				
030		961052-5	RETAINING RING (EXT) S-12	1				
031		211150-8	BALL BEARING 6901ZZ	1				
032		253746-9	FLAT WASHER 12	1				
033		210105-0	BALL BEARING 6001LLU	1				
034		327318-7	SPINDLE	1				
035		319823-8	BEARING RETAINER 47	1				
036		265995-6	TAPPING SCREW 4X18	2				
037		413488-9	COVER	1				
	C10	931102-0	HEX. NUT M4	6				
040		413489-7	BRUSH STOPPER	1				
041		911123-8	PAN HEAD SCREW M4X14	6				
042		422729-2	RUBBER GUARD	1				
043		743127-0	BRUSH	1				
044		232510-1	LEAF SPRING	4				
045		199939-3	PAD 210 SET	1				
	D10		INC. 46					
046		922323-5	HEX.SOCKET HEAD BOLT M6X16	1				
047		413490-2	HOSE CONNECTOR	1				
049		422617-3	JOINT	1				
051		140N60-5	PIPE A COMPLETE	1				
	D10		INC. 68					
052		183T15-3	ARM SET	1				
	D10		INC. 57					
053		911113-1	PAN HEAD SCREW M4X10 WITH WR	2				
054		232534-7	LEAF SPRING	2				
055		265A35-6	HEX. BOLT M8X17	1			DJ338	
055-1		265A68-1	HEX. BOLT M8X22	1	>	DJ338		
056		319808-4	FRAME	1				
057		183T15-3	ARM SET	1				
	D10		INC. 52					

A:DSL801Z(N)  
B:DSL801ZU(N)

Interchange  
O : Yes  
X : No  
< : the new part can be substituted for the current.  
> : the current part can be substituted for the new.  
S : Interchangeable as a set.

TH	THAILAND
----	----------

### DSL801 / 225MM CORDLESS DRYWALL SANDER

Item	Sub	Parts No.	Parts Description	Qty	I/C	E/C No.	Close No.	Remark
058		262561-0	SLEEVE 6	2				
059		911334-5	PAN HEAD SCREW M6X20	2				
060		265995-6	TAPPING SCREW 4X18	4				
061		183L78-1	PIPE HOUSING SET	1				
	D10		INC. 65					
062		459226-5	LOCK RING	1				
063		140J84-7	LOCK SLEEVE COMPLETE	1				
064		140L61-1	PIPE B COMPLETE	1				
	C10	459225-7	PIPE STOPPER B	1				
065		183L78-1	PIPE HOUSING SET	1				
	D10		INC. 61					
066		265995-6	TAPPING SCREW 4X18	4				
067		266050-7	TAPPING SCREW 4X30	3				
068		459224-9	PIPE STOPPER A	1				
069		459228-1	CORD HOLDER	1				
070		913106-4	SET SCREW M4X8	1				
071		140J83-9	INDICATOR PANEL COMPLETE	1				
072		183L75-7	HANDLE SET	1				
	C10	263005-3	RUBBER PIN 6	2				
	D10		INC. 88					
073		346248-3	CLAMP 24	1				
074		265995-6	TAPPING SCREW 4X18	1				
075		127672-7	DUST NOZZLE ASSY	1				
	D10		INC. 97-99				Y08601	
076		459229-9	CORD COVER	1				
077		265995-6	TAPPING SCREW 4X18	2				
078		620796-3	DIAL CIRCUIT	1				
079		459230-4	LOCK OFF BUTTON	1				
080		231433-0	COMPRESSION SPRING 4	1				
081		419705-5	LOCK ON BUTTON	1				
082		651083-9	SWITCH C3XA-1PSPM	1				
083		459231-2	SWITCH LEVER	1				
084		231433-0	COMPRESSION SPRING 4	1				
085		620B00-2	CONTROLLER	1				
086		644809-6	TERMINAL	1				
087		811L28-3	DSL801 SERIAL NO. LABEL	1				
088		183L75-7	HANDLE SET	1				
	C10	263005-3	RUBBER PIN 6	2				
	D10		INC. 72					
089		140F99-0	CAP COMPLETE	1				
	C10	213218-6	O RING 16	1				
	C20	818H07-8	CAP LABEL	1				
090		811L21-7	DSL801 NAME PLATE	1				
091		265995-6	TAPPING SCREW 4X18	10				
092		265995-6	TAPPING SCREW 4X18	4				
093		265A68-1	HEX. BOLT M8X22	1				
094		266429-2	TAPPING SCREW 3X16	4			DE715	
094-1		266130-9	TAPPING SCREW BIND PT 3X16	4	O	DE715		
095		347816-5	EARTH PLATE A	1				
096		412987-8	RIVET 7	1				
097		412812-3	DUST NOZZLE A	1			Y08601	
098		213459-4	O RING 32	1			Y08601	
099		412813-1	DUST NOZZLE B	1			Y08601	
A01		B-68404	ABRASIVE PAPER DISC 225-120	1				
A02		783217-7	HEX. WRENCH 5	1				
A03		195638-5	TOOL BAG SET	1				
A04		835B53-0	INNER TRAY	1				
A05B		199393-1	WIRELESS UNIT SET	1			D4357	
A05-1B		199393-1	WIRELESS UNIT SET	1	<	D4357	DB384	
A05-2B		199393-1	WIRELESS UNIT SET	1	<	DB384		
F03-2		199393-1	WIRELESS UNIT SET	1	<	DB384		
F04		199937-7	EXTENSION HANDLE SET	1				
F05		199938-5	PAD 220 SET	1				
F06		199939-3	PAD 210 SET	1				
F07		199940-8	PAD 210 SET	1				

A:DSL801Z(N)  
B:DSL801ZU(N)

Interchange  
O : Yes  
X : No  
< : the new part can be substituted for the current.  
> : the current part can be substituted for the new.  
S : Interchangeable as a set.