



TH	THAILAND
----	----------

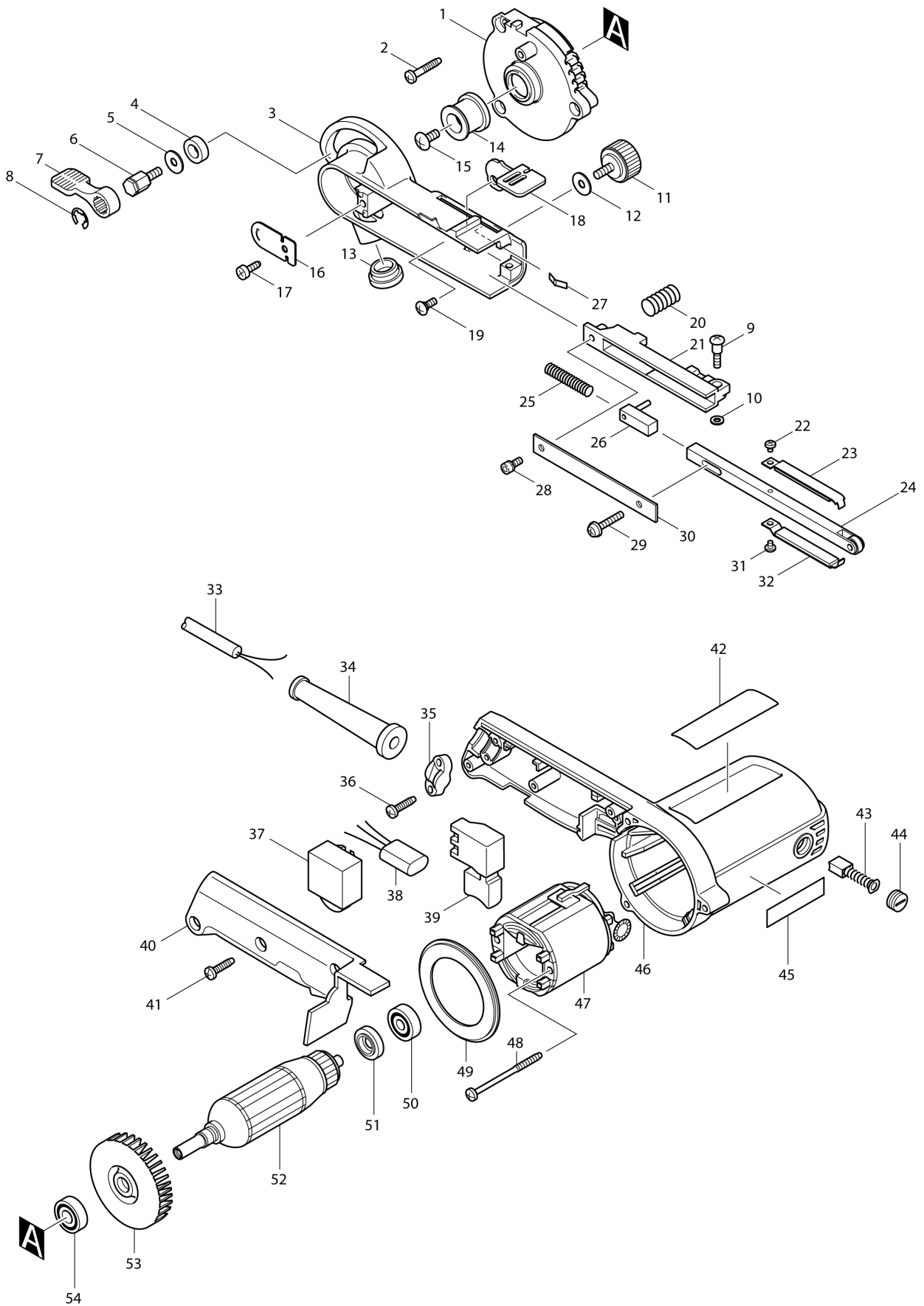
Diagram / Parts List

9032

BELT SANDER 9MM



(TH) 9032 / BELT SANDER 9MM



TH	THAILAND
----	----------

9032 / BELT SANDER 9MM

Item	Sub	Parts No.	Parts Description	Qty	I/C	E/C No.	Close No.	Remark
001		317523-4	BRACKET	1				
002		265999-8	TAPPING SCREW 4X25	3				
003		153308-2	PULLEY COVER COMPLETE	1				
004		257249-5	RING 9	1				
005		253807-5	FLAT WASHER 5	1				
006		265494-8	HEX. BOLT M5X13	1				
007		272229-0	LEVER 40	1				
008		961014-3	STOP RING E-8	1				
009		265090-2	+ PAN HEAD SCREW M4X20	1				
010		941052-1	FLAT WASHER 4	1				
011		265751-4	THUMB SCREW M5X13	1				
012		253807-5	FLAT WASHER 5	1				
013		421198-4	CAP	1				
014		317522-6	DRIVING ROLLER	1				
015		265092-8	TRUSS HEAD SCREW M5X12	1				
016		345196-3	SAFETY COVER	1				
017		266026-4	TAPPING SCREW BIND CT 4X12	1				
018		345197-1	CAM LEVER	1				
019		265028-7	+ PAN HEAD SCREW M4X11	1				
020		233333-0	COMPRESSION SPRING 10	1				
021		317525-0	ARM HOLDER	1				
022		265040-7	+ PAN HEAD SCREW M3X4	1				
023		153314-7	SHOE 9 COMPLETE	1				
024		153310-5	ARM 9 COMPLETE	1				
	C10	210064-8	BALL BEARING 694LLU	1			C9439	
	C11	210209-8	BALL BEARING 694LLU	1	O	C9439		
	C20	267220-1	FLAT WASHER 4	2				
025		233332-2	COMPRESSION SPRING 6	1				
026		153312-1	ARM TENSIONER COMPLETE	1				
027		232185-6	LEAF SPRING	1				
028		922111-0	HEX. SOCKET HEAD BOLT M4X10	1				
029		911138-5	P.H.SCREW M4X20 WITH WR	1				
030		345195-5	ARM COVER	1				
031		265040-7	+ PAN HEAD SCREW M3X4	1				
032		153314-7	SHOE 9 COMPLETE	1				
033		691015-4	POWER SUPPLY CORD 0.75-2-2.5	1			DU529	
033-1		660518-9	POWER SUPPLY CORD 0.75-2-2.5	1	S	DU529		
034		682504-0	CORD GUARD 10-85	1			DU529	
034-1		682502-4	CORD GUARD 8-85	1	S	DU529		
035		687053-2	STRAIN RELIEF	1			DU529	
035-1		687052-4	STRAIN RELIEF	1	S	DU529		
036		265995-6	TAPPING SCREW 4X18	2				
037-1		631677-6	CONTROLLER	1				
039		651263-7	SWITCH SGEL206C	1			DB412	
039-1		651263-7	SWITCH SGEL206C	1	O	DB412		
040		415635-8	HANDLE COVER	1				
041		265995-6	TAPPING SCREW 4X18	3				
042		853483-1	NAME PLATE 9032	1				
043		A-88537	CARBON BRUSH CB-411A	1			83185	
043-1		B-80167	CARBON BRUSH SET CB-411A	1	O	83185	85070	
043-2		B-80391	CARBON BRUSH SET CB-411A	1	<	85070		
044		643550-8	BRUSH HOLDER CAP 5-8	2				
046		159747-4	MOTOR HOUSING COMPLETE	1				
	C10	643932-4	BRUSH HOLDER 6X9	2				
047		593498-3	FIELD ASS'Y 220V	1			C4626	
	C10	654100-4	RING TERMINAL	2			C4626	
	C20	654501-6	CONNECTOR P-1.25	2			C4626	
047-1		599116-1	FIELD ASSY 220V	1	O	C4626		
	C10	654100-4	RING TERMINAL	2		C4626		
	C20	654501-6	CONNECTOR P-1.25	2		C4626		
048		266052-3	TAPPING SCREW 4X60	2				
049		415634-0	BAFFLE PLATE	1				
050		210023-2	BALL BEARING 627DDW	1				
051		681614-0	INSULATION WASHER	1				
052		517388-6	ARMATURE ASS'Y 220V	1				

A:9032(H)

Interchange
O : Yes
X : No
< : the new part can be substituted for the current.
> : the current part can be substituted for the new.
S : Interchangeable as a set.

