



TH	THAILAND
----	----------

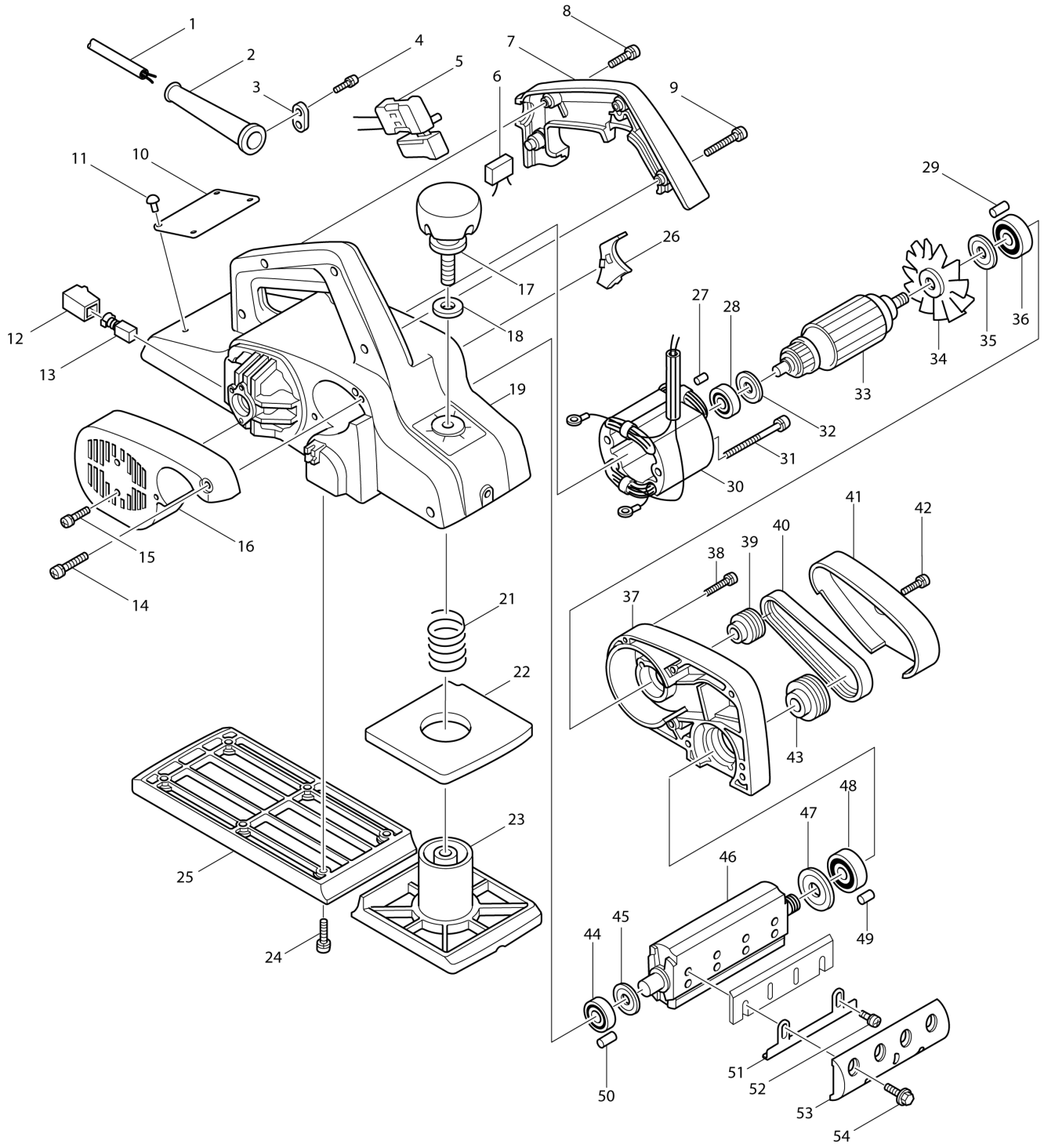
# Diagram / Parts List

**1911B**

**POWER PLANER 110MM**



(TH) 1911B / POWER PLANER 110MM



<b>TH</b>	<b>THAILAND</b>
-----------	-----------------

### 1911B / POWER PLANER 110MM

Item	Sub	Parts No.	Parts Description	Qty	I/C	E/C No.	Close No.	Remark
001B1		691227-9	POWER SUPPLY CORD 1.25-2-5.0	1			DU473	
001B2		692469-8	POWER SUPPLY CORD 1.5-2-5.0	1	S	DU473		
002		682504-0	CORD GUARD 10-85	1				
003D1		687054-0	STRAIN RELIEF	1			DU473	
003D2		687063-9	CORD CLAMP	1	S	DU473		
004-1		911133-5	PAN HEAD SCREW M4X18	2				
005		651204-3	SWITCH SGEL115CDY	1				
007		411423-1	HANDLE COVER	1			DD889	
007-1		414538-3	HANDLE COVER	1	O	DD889		
008		911168-6	PAN HEAD SCREW M4X40	1			Y05582	
008-1		911153-9	PAN HEAD SCREW M4X28	3	X	Y05582		
009-1		911153-9	PAN HEAD SCREW M4X28	3			Y05582	
009-2		911168-6	PAN HEAD SCREW M4X40	1	X	Y05582		
010		815099-0	NAME PLATE 1911B	1			66914	
010-1		853285-5	NAME PLATE	1	<	66914		
011		953106-2	RIVET 0-5	4			66914	
012		643601-7	BRUSH HOLDER 6-10	2				
013-1		181410-1	CARBON BRUSH CB-106	1			85070	
013-2		B-80313	CARBON BRUSH SET CB-106A	1	<	85070		
014		911168-6	PAN HEAD SCREW M4X40	1				
015		911123-8	PAN HEAD SCREW M4X14	2				
016		152234-2	REAR COVER COMPLETE	1				
	C10	817672-2	CAUTION LABEL	1				
016-1		411425-7	REAR COVER	1	X	43807	DD889	
016-2		410438-5	REAR COVER	1	<	DD889		
017		271226-3	KNOB 50	1				
018		941251-5	FLAT WASHER 10	1				
019-1		159336-5	MAIN FRAME	1			66914	
	C10	816406-0	SCALE PLATE	1			66914	
	C20	953106-2	RIVET 0-5	4			66914	
	D10		INC. 27,50				66914	
019-2		159336-5	MAIN FRAME	1	O	66914		
	C10	816381-0	SCALE LABEL	1		66914		
021		231004-3	COMPRESSION SPRING 18	1			DV199	
021-1		233395-8	COMPRESSION SPRING 18	1	O	DV199		
022		421147-1	RUBBER PACKING	1				
023		312951-8	FRONT BASE	1				
024		911231-5	PAN HEAD SCREW M5X20	6				
024-1		911226-8	PAN HEAD SCREW M5X18	6	O	60992		
025		312952-6	REAR BASE	1				
026		411428-1	BAFFLE PLATE	1				
027-1		263014-2	RUBBER PIN 4	1			66914	
028		211031-6	BALL BEARING 608LLB	1				
029		263002-9	RUBBER PIN 4	1				
030C		522418-0	FIELD ASS'Y 220V	1			66915	
	C10	654038-3	INSULATED TERMINAL FT1.25-M4	2			66915	Y04979
030C1		594488-9	FIELD ASS'Y 220V	1	<	66915		
	C10	654038-3	INSULATED TERMINAL FT1.25-M4	2		66915	68034	Y04979
	C11	654037-5	INSULATED TERM. FT1.25-M3	2		68034	Y06150	Y04979
	C12	654037-5	INSULATED TERM. FT1.25-M3	2	O	Y06150		Y04979
031-1		911290-9	PAN HEAD SCREW M5X65	2			66914	
031-2		911295-9	PAN HEAD SCREW M5X70	2	X	66914		
032-1		681613-2	INSULATION WASHER	1				
033C1		516083-5	ARMATURE ASS'Y 220V	1				
	D10		INC. 28,32,34,35,36					
034-1		241519-2	FAN 68	1				
035		213051-6	DUST SEAL 10	1				
036		211066-7	BALL BEARING 6200LLB	1				
037-1		152362-3	BRACKET	1				
	D10		INC. 29,49					
038		911158-9	PAN HEAD SCREW M4X30	6				
039		222050-7	V-PULLEY 4-24L	1				
040-1		225069-5	POLY V-BELT 4-272	1				
041		411426-5	BELT COVER	1				
042-1		911123-8	PAN HEAD SCREW M4X14	1				

A:1911B(H)

Interchange  
O : Yes  
X : No  
< : the new part can be substituted for the current.  
> : the current part can be substituted for the new.  
S : Interchangeable as a set.

